

**MTG-GL-195**

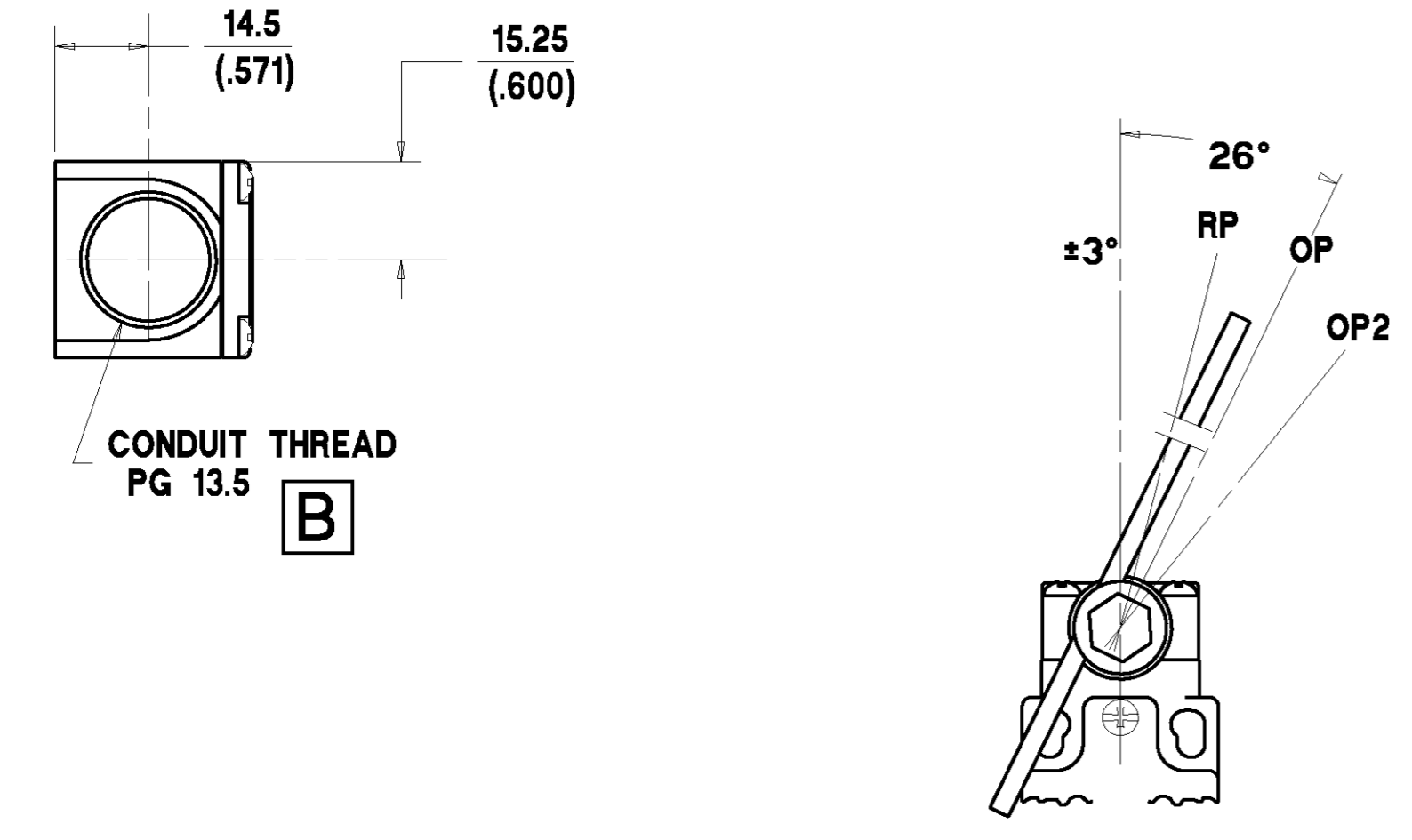
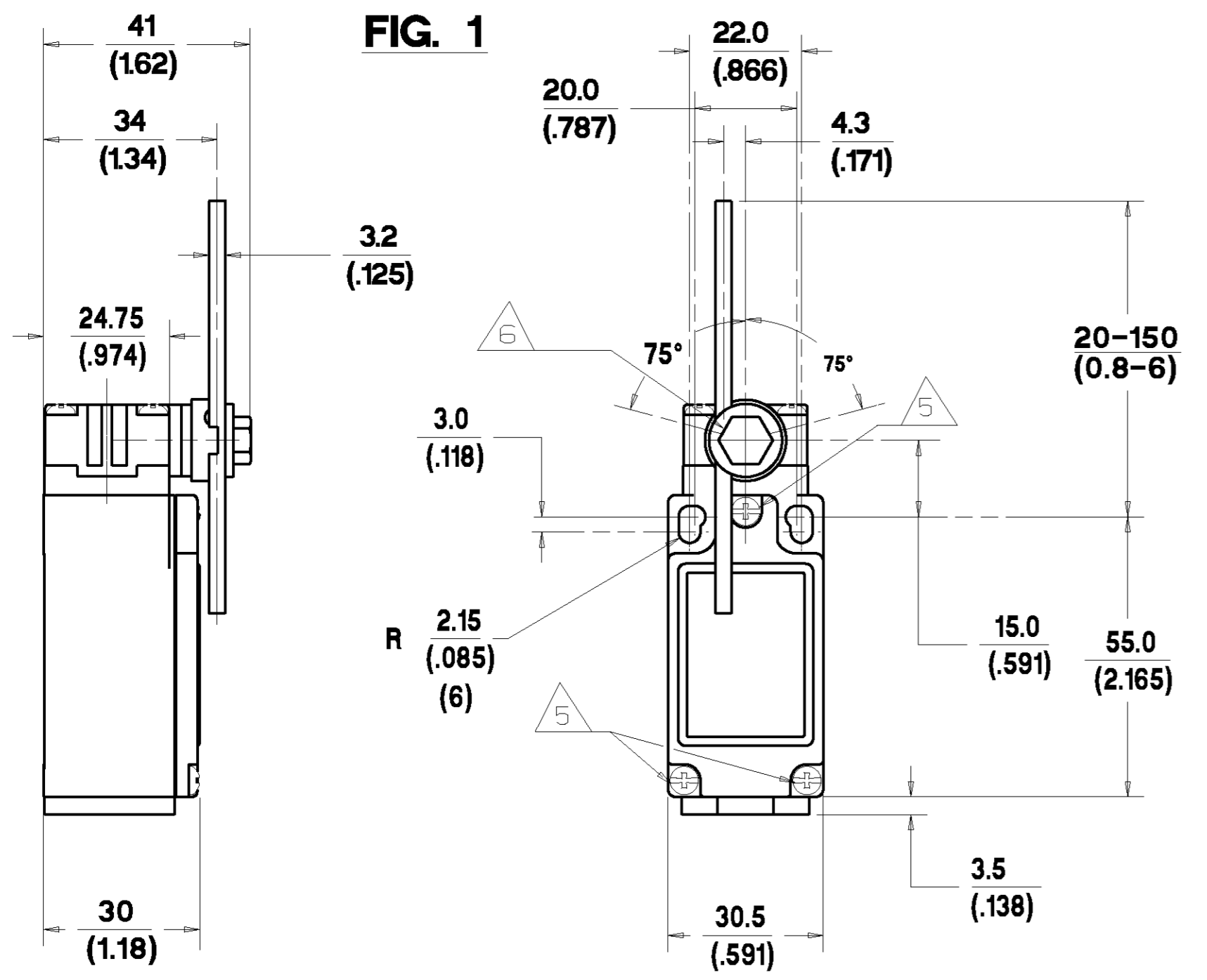
REPLACES  
A018-185

REVISIONS

2	7/96
3	12/96
4	7/97
5	8/97
6	CO/395

**Honeywell** **LIMIT SWITCH**

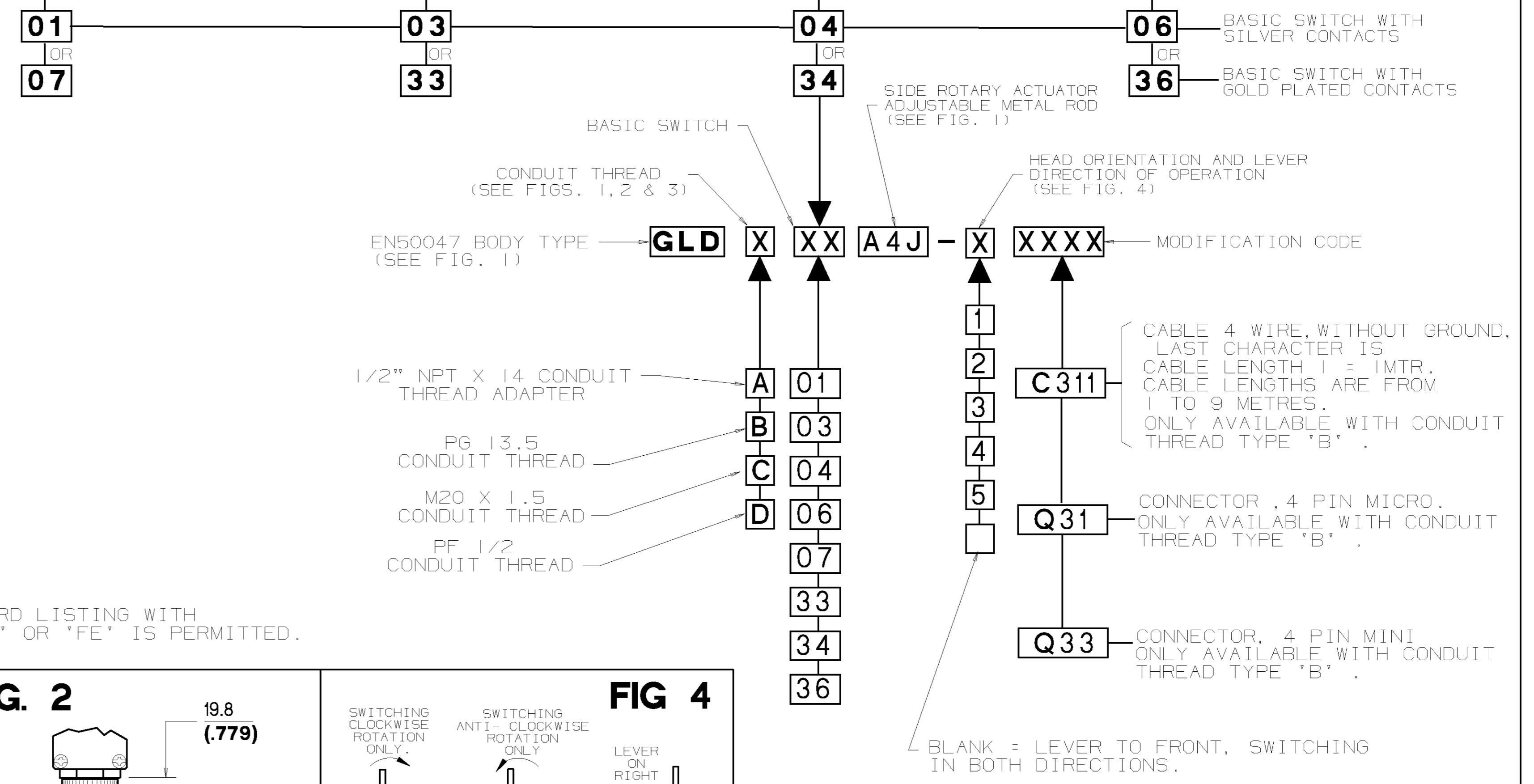
CATALOGUE LISTING  
**GLS**  
CHART NO.  
**MTG-GL-195**



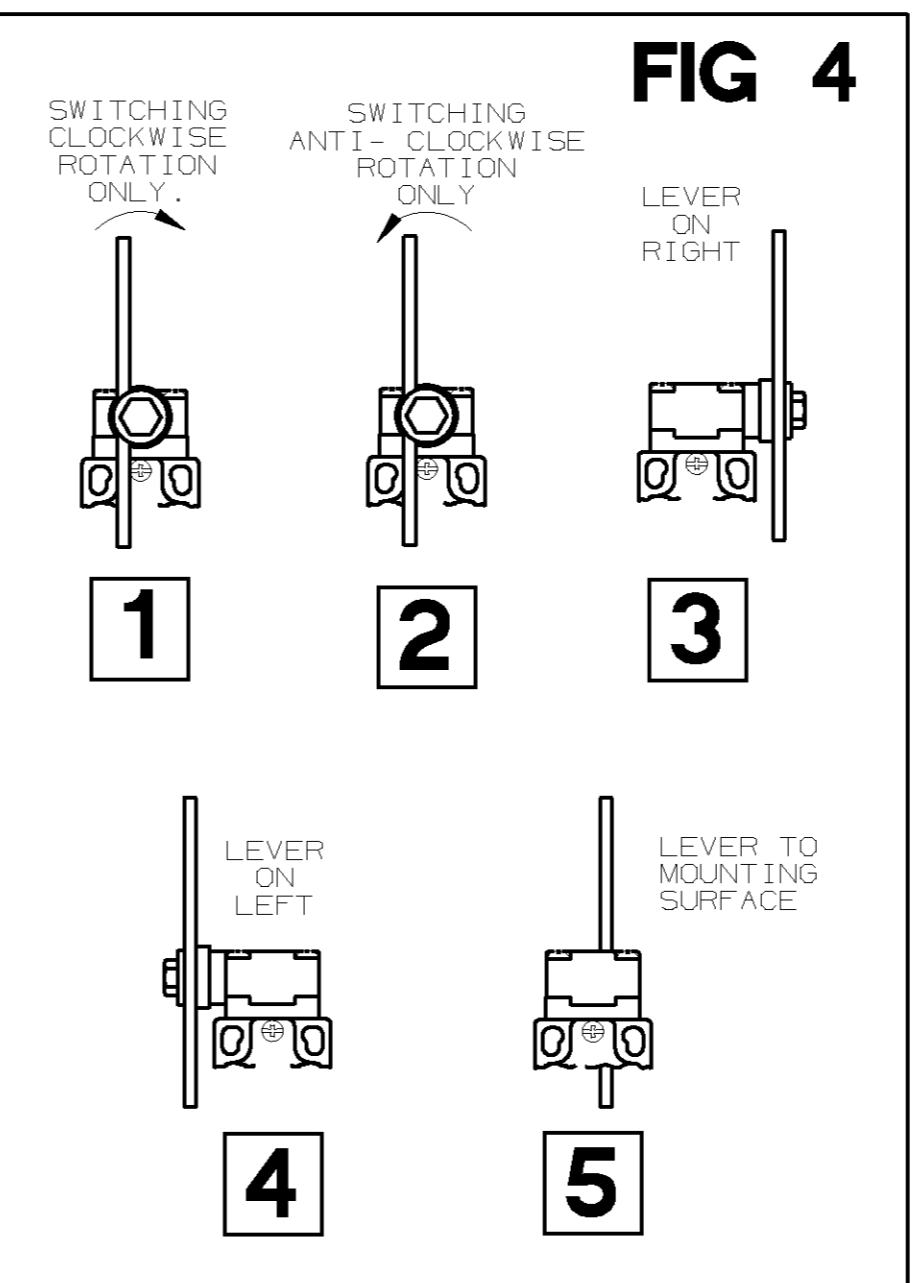
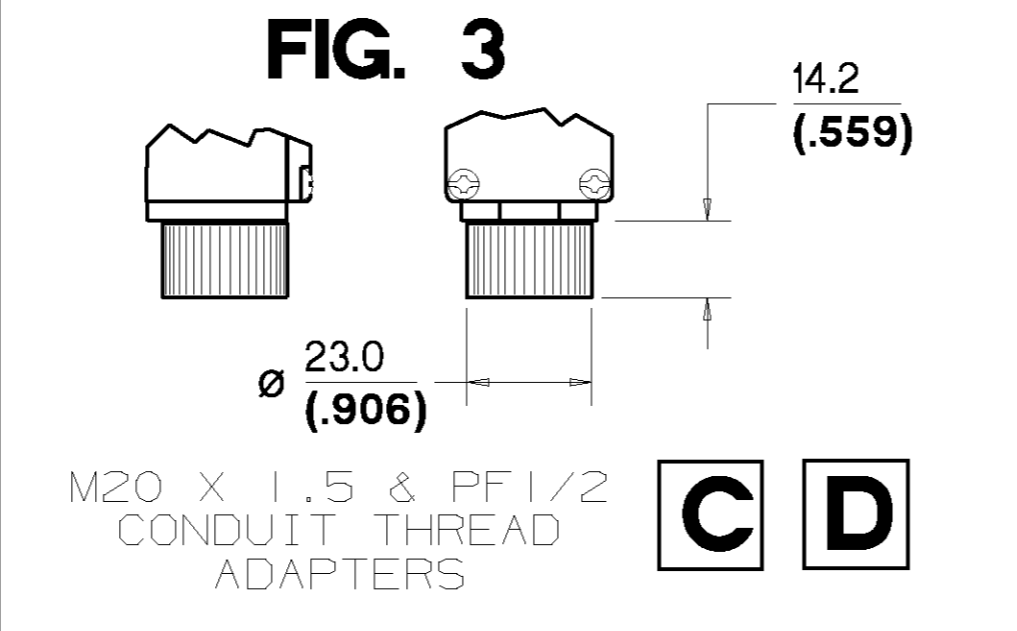
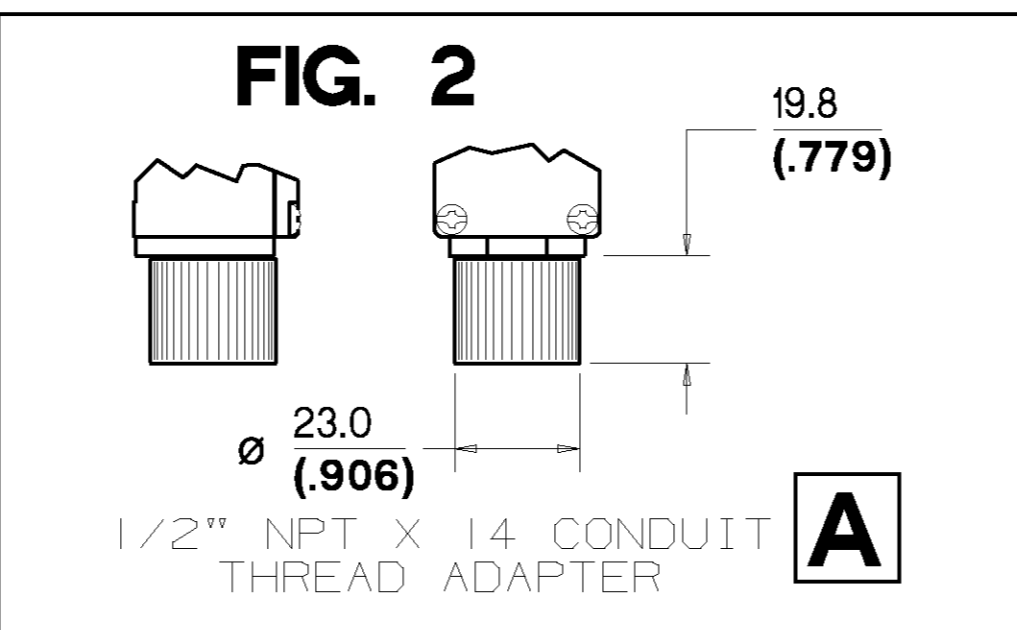
- NOTES:-
- MICRO SWITCH BLUE GLASS FILLED POLYESTER HOUSING & COVER. BLACK GLASS FILLED POLYAMIDE HEAD.
  - ENCLOSURE DOUBLE INSULATED TO IEC 539 CLASS II.
  - MINIMUM OPERATING VELOCITY (V<sub>min</sub>) = 0.26 rad/s  
MAXIMUM OPERATING VELOCITY (V<sub>max</sub>) = 25 rad/s  
MAXIMUM OPERATING FREQUENCY (F<sub>max</sub>) = 250 OPS/MIN
  - FREE POSITION (FP), OPERATING POINT (OP), OVERTRAVEL (OT) AND PRETRAVEL (PT) ALL TO EN50047.
- △ MAXIMUM TIGHTENING TORQUE FOR FIXING SCREW = 0.5Nm (4.4in.LB)  
△ MAXIMUM TIGHTENING TORQUE FOR FIXING SCREW = 0.8Nm (7in.LB)

NO CHANGES CAN BE MADE TO THIS DRAWING WITHOUT JOINT NEWHOUSE/FREEPORT APPROVAL

SNAP-ACTION CONTACTS	SLOW-ACTION CONTACTS (BREAK BEFORE MAKE)	SLOW-ACTION CONTACTS (MAKE BEFORE BREAK)	SLOW-ACTION CONTACTS (2 NORMALLY CLOSED)	CONTACT BLOCK DIAGRAM TERMINAL DESIGNATION TO EN 50013
				NOMINAL TRAVELS AND RELATED TERMINALS CONTACT CLOSED CONTACT OPEN * POSITIVE OPENING TO IEC 947-5-1-3
120 (1.1) 140 (1.3)	110 (1.0) 160 (1.5)	110 (1.0) 170 (1.6)	110 (1.0) 150 (1.4)	NORMAL OPERATING TORQUE MAX <b>Nmm (in.lbs)</b> MAXIMUM DISCONNECT TORQUE <b>Nmm (in.lbs)</b>



NOTE:- ANY STANDARD LISTING WITH SUFFIX 'RS' OR 'FE' IS PERMITTED.



NOTE: FOR CONNECTION DIAGRAMS AND ADDITIONAL ELECTRICAL, ENVIRONMENTAL & DIMENSIONAL INFORMATION SEE DRAWING GL-49212.

IEC 947-5-1 ELECTRICAL RATING			
SILVER CONTACTS			GOLD PLATED CONTACTS
AC	AC (FOR 2NC)	DC	
AG00 AC15 U <sub>e</sub> I <sub>e</sub>	A500 AC15 U <sub>e</sub> I <sub>e</sub>	O300 DC13 U <sub>e</sub> I <sub>e</sub>	I <sub>th</sub> = 10A
VOLTS AMPS 120 6 240 3 380 1.9 480 1.4 500 1.4 600 1.2	VOLTS AMPS 120 6 240 3 380 1.9 480 1.4 500 1.4	VOLTS AMPS 120 6 250 0.27	1V 10µA MIN. 50V 100mA MAX.
ENVIRONMENTAL			APPROVALS
IP66 NEMA 1, 4, 12, 13			UL
TEMP RANGE: -25°C TO 85°C -13°F TO 185°F			CS
STORAGE: -40°C TO 85°C -40°F TO 185°F			IEC 947-5-1
SHOCK: 50G PER IEC 68-2-27			EN50047
VIBRATION: 10G PER IEC 68-2-6			
SCALE 1:1	DIMENSIONS ARE IN MM/INCHES.	MODIFY ON CAD SYSTEM ONLY	

4/95  
DRAWN M. LOCH  
CHECK I. WEIR  
DESIGN J. BOYD  
AUTHOR P. TRICKETT